


**COPIER/PRINTER TECHNICAL DATA SHEET**

**REV NO: 1.2**

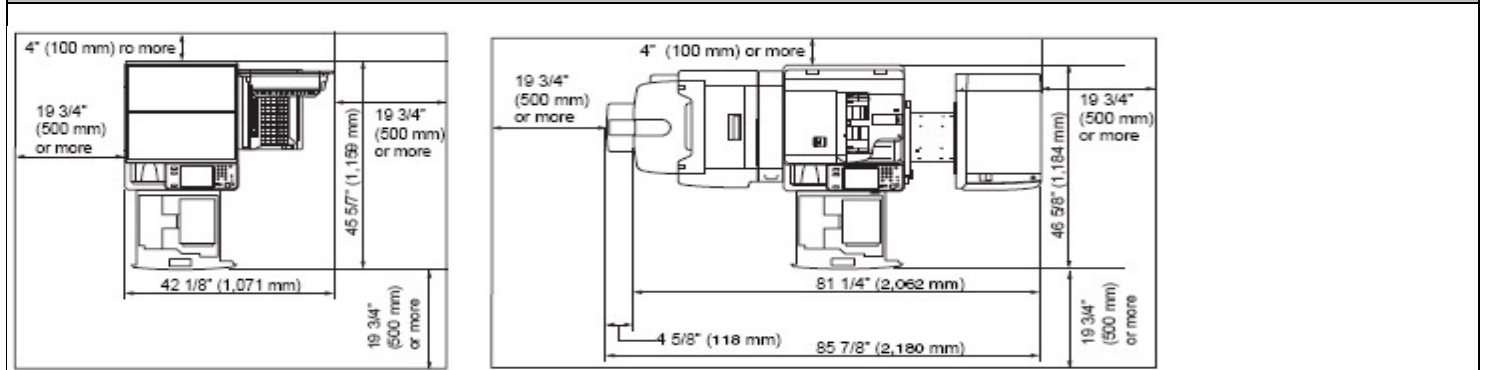
MODEL NAME	TYPE	STANDARD PRINT SPEED	MINIMUM POWER SUPPLY REQUIREMENT					
iR ADV 50 Series	Body Type: Console	30 to 51 CPM A4	Clean 230v 50HZ Via 13 Amp Plug 1,500 Watts Power Consumption Maximum					
PRODUCT ACCESSORIES		Product Accessories						
Duplex Colour Reader Image Reader Unit-B1			HDD Data Encryption & Mirroring Kit-C1					
Colour Image Reader Unit-B1			Inner Finisher Additional Tray-A1					
Colour Image Reader Unit-B2			IPSec Board-B2					
Cassette Feeding Unit-AD1			Key Switch Unit-A2					
Buffer Pass Unit-G1			Multimedia Reader/Writer-A1					
External 2 hole Puncher Unit-B1			PCL Printer Kit-AE1					
External 2/3 hole Puncher Unit-B1			Printer Cover-C1					
Side Paper Deck Unit- B1			PS Printer Kit-AE1					
Inner Finisher-A1			Removable HDD Kit-AC1					
Staple Finisher-C1			Serial Interface Kit-K1					
Booklet Finisher-C1			Staple Finisher-C1					
ADF Access handle-A1			Super G3 2nd Line FAX Board-AE1					
Stand alone Controller GX300 5051(only)			Super G3 FAX Board-AE1					
Embedded Controller imagePASS-B1			USB Device Port-B1					
image PASS B-1 (non i models only)			Utility Tray-A1					
Copy Control Interface Kit-A1			Voice Guidance Kit-F1					
Document Scan Lock Kit-A1			Voice Operation Kit-C1					
image Data Analyser Board-A1			Wireless LAN Board-B1					
2.5 inch 250GB-D1 HDD			Envelope Feeder Attachment-D1					
2.5 inch 80GB-C1 HDD			Web Access Software-H1					
Inner 2-way Tray-F1								
BASIC COPIER SPECIFICATION	PRINTER ENGINE SPECIFICATION		FIRST COPY OUT TIMES					
Photosensitive Drum Phi 30 OPC	Laser Exposure 10 mw							
Primary charging Method Roller Charging	1200 x 1200 dpi Resolution Printing		3.9 secs or less From Glass (Book Mode)					
Main Controller Memory PCB1: 1GB	600 x 600 dpi Resolution Copying		Conditions:					
Main Controller Memory PCB2: 1GB 1.5GB	256 Gradations of Halftone		Cassette 1 A4					
999 copies continuously	80Gb Hard Drive		Non AE					
Duplex - Standard Automatic Stackless	Roller Charging & Transfer Method		Text mode					
Optional Memory Main Controller PCB2 512Mb	38 Secs or less max warm up tim		Not with Finisher-Q3/Saddle-Q4					
Mercury Numbers Drum and Toner	Non-Magnetic negative Toner							
C-EXV28 BLK Toner 2789B002AA		Model and Toner type	TONER CONSUMPTION					
C-EXV28 CYAN Toner 2793B002AA	5030/5035 Y M C Colour Toner C-EXV29		27,000 A4 @ 5% coverage					
C-EXV28 MAGENTA Toner 2797B002AA	5030/5035 BLK Toner C-EXV29		36,000 A4 @ 5% Coverage					
C-EXV28 YELLOW Toner 2801B002AA	5030/5035 Drum Unit Colour C-EXV29		59,000 A4 @ 5% Coverage					
C-EXV28 BLK DRUM UNIT 2776B003BA	5030/5035 Drum Unit BLK C-EXV29		169,000 A4 @5% Coverage					
C-EXV28 COLOUR DRUM UNIT 2777B002AA	5045/5051 Y M C Colour Toner C-EXV28		38,000 A4 @5% Coverage					
C-EXV29 BLK Toner 2790B002AA	5045/5051 BLK Toner C-EXV28		44,000 A4 @5% Coverage					
C-EXV29 CYAN Toner 2794B002AA	5045/5051 Drum Unit BLK C-EXV28		171,000 A4 @5% Coverage					
C-EXV29 MAGNETA Toner 2798B002AA	5045/5051 Drum Unit Colour C-EXV28		85,000 A4 @5% Coverage					
C-EXV29 YELLOW 2802B002AA								
C-EXV29 BLK DRUM 2778B002AA								
C-EXV29 COLOUR DRUM 2778B002AA								
COPYING / PRINTING REPRODUCTION SPEEDS								
Media Types	Paper Size	Paper Type	Paper Basis weight (g/m2)	Copies/min (1-to-N)				
				image RUNNER ADVANCE				
				C5051		C5045		
				Cassette	Manual Feed	Cassette	Manual Feed	
				Colour or B/W	Colour or B/W	Colour or B/W	Colour or B/W	
Plain Paper 52-256 gsm Transparencies, Heavyweight Paper, Tracing Paper, Eco Paper, Recycled Paper.	A4 A3	1-Sided	Plain Paper	52-81	51A4 25.5A3	31A4 19.5A3	45A4 25.5A3	31A4 19.5A3
				82-105	51A4 25.5A3	31A4 19.5A3	45A4 25.5A3	31A4 19.5A3
			Thick paper	105-163	25.5A4 12.5A3	15.5A4 9.8A3	25.5A4 12.5A3	15.5A4 9.8A3
			164-209	20A4 10A3	15.5A4 9.8A3	20A4 10A3	15.5A4 9.8A3	
			210-256	N/A N/A	10A4 6.5A3	N/A N/A	10A4 6.5A3	
			210-256	N/A N/A	10A4 6.5A3	N/A N/A	10A4 6.5A3	
	A4 A3	2-Sided	Plain Paper	52-81	45A4 25.5A3	31A4 25.5A3	45A4 25.5A3	31A4 19.5A3
				82-105	45A4 25.5A3	31A4 25.5A3	45A4 25.5A3	31A4 19.5A3
			Thick paper	105-163	25.5A4 12.5A3	15.5A4 12.5A3	25.5A4 12.5A3	15.5A4 9.8A3
			164-209	20A4 10A3	15.5A4 10A3	20A4 10A3	15.5A4 9.8A3	
			210-256	N/A N/A	N/A	N/A N/A	N/A N/A	
			210-256	N/A N/A	N/A	N/A N/A	N/A N/A	
A4 A3	1-Sided	Plain Paper	52-81	35A4 17.5A3	20A4 13A3	30A4 17.5A3	20A4 13A3	
			82-105	35A4 17.5A3	20A4 13A3	30A4 17.5A3	20A4 13A3	
			105-163	17A4 8.5A3	10A4 6.5A3	17A4 8.5A3	10A4 6.5A3	
		Thick paper	164-209	17A4 8.5A3	10A4 6.5A3	17A4 8.5A3	10A4 6.5A3	
			210-256	N/A N/A	10A4 6.5A3	N/A N/A	10A4 6.5A3	
			210-256	N/A N/A	10A4 6.5A3	N/A N/A	10A4 6.5A3	
	A4 A3	2-Sided	Plain Paper	52-81	35A4 17.5A3	20A4 13A3	30A4 17.5A3	20A4 13A3
				82-105	35A4 17.5A3	20A4 13A3	30A4 17.5A3	20A4 13A3
			Thick paper	105-163	17A4 8.5A3	10A4 6.5A3	17A4 8.5A3	10A4 6.5A3
			163-209	17A4 8.5A3	10A4 6.5A3	17A4 8.5A3	10A4 6.5A3	
			210-256	N/A N/A	N/A N/A	N/A N/A	N/A N/A	
			210-256	N/A N/A	N/A N/A	N/A N/A	N/A N/A	
Zoom Range				Double Siding				
25~400% In 1% Increments				A5R-A3 64-128gsm				
PAPER SOURCE AND MEDIA SIZES			COUNTER TYPE					
Auto Duplex	A5R-A3		Electronically changed in Service Mode to display various combinations. Eight displays available.					
Cassettes 52-209g/m²	A3, A4, A4R, A5R		AUTO SLEEP / AUTOCLEAR					
Manual Feed 52-256g/m²	A5R-A3		Yes, customer adjustable					
Paper Deck Unit-B1 52-160g/m²	A4							

PAPER SPECIFICATION		
Feed Location	Capacity	Type of Media
Standard Cassette	550 Sheets 80g/m <sup>2</sup>	Plain Paper ( 64 - 90g/m <sup>2</sup> )
Manual Feed	50 Sheets 80 g/m <sup>2</sup>	Plain Paper ( 64- 128g/m <sup>2</sup> ) Transparencies
Paper Deck Unit-B1	2700 Sheets 80g/m <sup>2</sup>	
Automatic Duplex	Single Through-path,Double Sided (No Holding Tray)	Plain Paper (80g/m <sup>2</sup> )
Manual Feed Double Sided( Not Duplex)	50 Sheets 80 g/m <sup>2</sup> Central Reference Adjustment	Plain Paper (64 to 128g/m <sup>2</sup> )

ENVIRONMENTAL DATA					
Compliance	Operating Noise				Ozone Emission
	Copy Print		Standby Mode		
Bio Plastics Yes	C5030/35	C5045/51	C5030/35	C5045/51	0.01ppm or less average 0.02ppm or less max
Energy Satr Compliant	67 db	70db	67db	70db	
RoHS Compliant Yes					
Power Consumption	C5030/35	C5045/51	C5030/35	C5045/51	
Maximum	1,552 Wh	1,680 Wh	—	—	
Printing Average	616 Wh	934 Wh	—	—	
Stand By Mode	—	—	109.9 Wh	116 Wh	
Sleep Mode	—	—	1.26 Wh	1.26 Wh	
Low Power Mode	—	—	1.26 Wh	1.23 Wh	
Typical Energy Consumption (1 week)	C5030	C5035	C5045	C5051	
	1.86 Kw	2.04 Kw	2.77 Kw	3.01Kw	
Operating Environment	Min	Max	Heat Output		
Temperature Range	15°C	27.5°C	Standby	512 BTU Min	
Relative Humidity Range	25%	75%	Running outside the stated peramiters will effect the performance of this product		
Atmospheric Pressure	0.6 atm	1.0atm	Copying	4438 BTU/Min	

PHYSICAL DATA					
Product Name	Width	Depth	Height	Weight	Comments
iR ADVANCE C5051/5045	620mm	735mm	806mm	153Kg Approx	Printer only
IR ADVANCE C5035/5030	620mm	735mm	806mm	153Kg Approx	Printer only
Duplex Image Reader Unit-B1	616mm	588mm	251mm	38.8Kg Approx	DADF fitted with Reader unit from factory
Colour Image Reader Unit-B1	620mm	536mm	207mm	23Kg Approx	Standard Feeder
Colour Image Reader Unit-B2	620mm	564mm	72mm	13.7Kg Approx	Image Reader only
Cassette Feeding Unit-AD1	620mm	700mm	251mm	27.5Kg Approx	Printer unit is mounted on top of Unit-AD1
Paper Deck Unit-B1	372mm	603mm	473mm	37Kg Approx	Attaches via fitting kit included
Envelope Feeder-D1	439mm	307mm	81mm	1.2Kg Approx	COM 10, Monach, ISO-C5, ISO-B5 and DL
Inner Finisher-A1	602mm	540mm	234mm	13.5Kg Approx	Can not fit external finisher if this unit is fitted
Staple Finisher-C1	545mm	656mm	1071mm	47Kg Approx	Buffer Pass Unit-G1 has to be fitted
Booklet Finisher-C1	756mm	656mm	1074mm	76Kg Approx	Buffer Pass Unit-G1 has to be fitted
Buffer Pass Unit-G1	489mm	493mm	184mm	4Kg Approx	must be fitted with external finisher Units
External 2 Hole Puncher Unit-B1	107mm	623mm	908mm	7.2Kg Approx	Can not be used if internal finisher unit is fitted
External 2/3 Hole Puncher Unit-B1	107mm	623mm	908mm	7.2Kg Approx	Can not be used if internal finisher unit is fitted

**SPATIAL REQUIREMENTS**



Device + Paper deck Unit-B1 + Saddle Finisher-C1 + Puncher unit-B1  
**Safe working area infront of the machine should be at least 1metre to allow for safe servicing and product safety.**

**FLOOR LOADING**

The Weight of the iR ADV 50 series + Duplex Image Reader Unit-B1 + Cassette Feeder Unit-AD1 = 219.5Kg Approx  
 Dimensions between the castors are 45cm, side to side  
 40cm, front to rear Diameter of castor 5cm. Width of castor 2cm

**OTHER INFORMATION**

It is recommended to use a dedicated Power Outlet for the machine. Sharing other appliances with the machine may impair product performance. For example, appliances that switch on and off frequently. (Refrigerators)  
 In all cases, power rating must be considered when using power outlets.  
 The machine site must be well ventilated and free from exposure to direct sunlight.

**ALL INFORMATION ON THIS DATA SHEET IS SUBJECT TO CHANGE WITH IMPROVEMENT OR REDESIGN OF THE PRODUCT. FOR INTERNAL USE ONLY NOT FOR PUBLICATION**